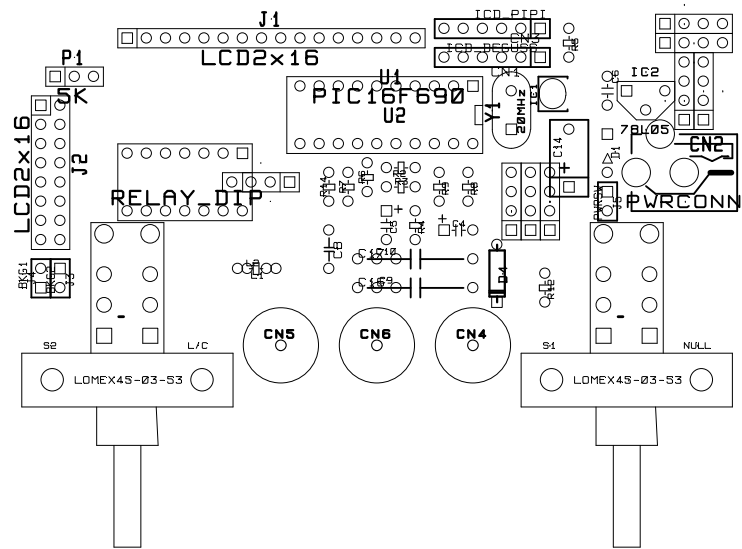




File: Esr16F690.brd		
Sheet: 1/1		
Title:		
Size: A4	Date: 14 sep 2009	Rev:
KiCad E.D.A.	PCBnew (20090216-final)	Id: 1/1



File: Esr16F690.brd			
Sheet: 1/1			
Title:			
Size: A4	Date: 14 sep 2009	Rev:	
K:\Cad E.D.A. PCBnew (20090216-final)		Id: 1/1	